

# Operation & Installation Guide

HM-HAS-77D

English  
Français  
Español



# Honeywell

Model  
Modèle 2077D  
Modelo

**ANTI-THEFT SAFE**  
**COFFRE-FORT ANTI-EFFRACTION**  
**CAJA FUERTE ANTIRROBO**

**Read These Instructions Very Carefully!**  
**Lire ces instructions très attentivement!**  
**¡Sírvase leer estas instrucciones cuidadosamente!**

**Customer Service / Service client / Servicio al cliente 1-800-223-8566**  
**(USA & Canada) / (États-Unis & Canada) / (EUA & Canadá)**

## Welcome to the HONEYWELL Family of safes

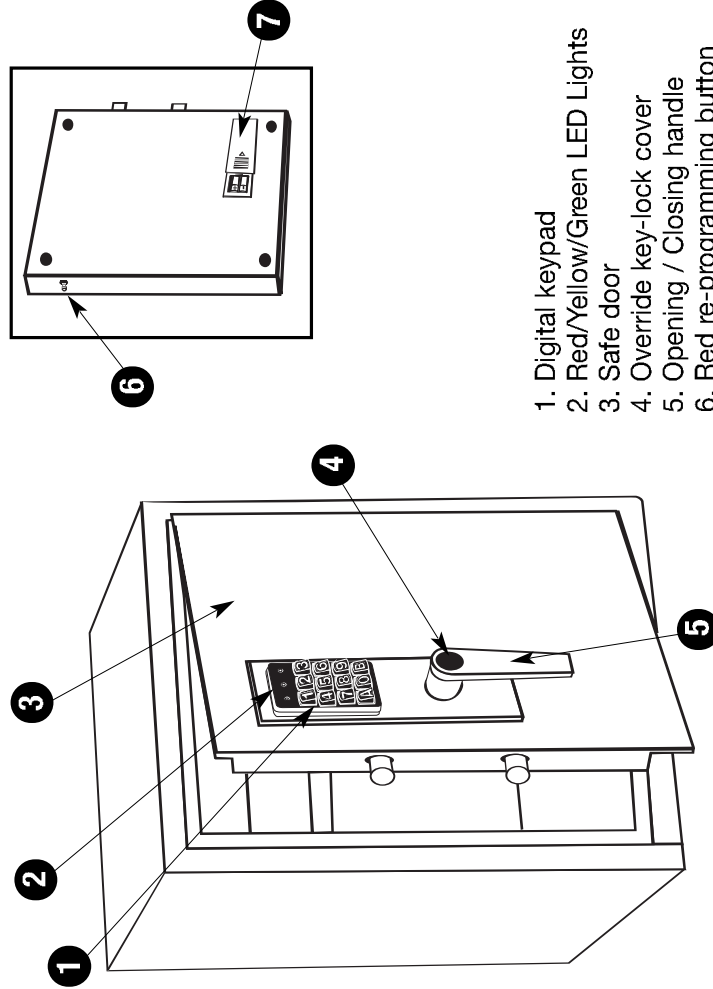
Your safe is designed to provide many years of safe and secure storage for your valuables.

### For security purposes:

- ▶ **Do not remove the serial number sticker** from the side of the safe.
- ▶ Program a new personal code immediately.
- ▶ Always store the override keys and personal code at a location away from the safe.
- ▶ The factory set code for your safe is: **1 5 9 A**

### Your Anti-Theft safe Includes

- ▶ 4 "AA" Batteries
- ▶ Removable Shelf
- ▶ Two override keys
- ▶ Instruction manual



1. Digital keypad
2. Red/Yellow/Green LED Lights
3. Safe door
4. Override key-lock cover
5. Opening / Closing handle
6. Red re-programming button
7. Battery compartment

## Opening Your Safe

**The pre-set factory code is 159A. Use this code the first time you open the safe.**

1. Enter the code on the digital keypad. (Fig. 1) The green LED will light and the lock will click.
2. Turn the handle clockwise (Fig. 2) and the door will open. **IMPORTANT:** You must turn the handle to open within 5 seconds or the safe will re-lock. It will then be necessary to re-enter the code.
3. If necessary, you can open your safe using the emergency override key. Remove the key-lock cover located on the upper portion of the handle, insert the override key (Fig. 3), turn the key clockwise and then turn the handle to the left. (Fig. 2) To lock, turn the handle counterclockwise (Fig.5) then turn the key counterclockwise to vertical position and remove. **NOTE:** Never try to remove key while it is in the horizontal position.

## Closing and Securing your Safe

1. Never overfill the safe or obstruct the door from closing completely and properly.
2. Safely close the safe door.
3. Turn the handle down to the right and the lock will click and lock (Fig.5)
4. To re-open, enter your personal code.

## Programming your Personal Code

For security purposes, you must program into the safe your own personal code. The factory pre-set code of 159A should only be used to initially enter the safe.

### To program your personal code:

1. Open the safe door.
2. On the inside top edge of the door is a small red button (Fig.4). Locate the button and push it. You will hear two beeps.
3. Choose a personal code using 3 to 8 numbers and enter them on the digital keypad (Fig 1). Do not use letters.
4. Press the "B" button and your personal code is saved.
5. Write down your new code and store it away from the safe.

### Security Lockout

The safe is designed to automatically lockout the keypad if the wrong code is entered multiple times.

- After 3rd error: 20 second lock-out
  - 3 more errors: 5 minute lock-out
  - 3 more errors: 1 hour lock-out
- If you cannot remember your personal code, you can always use the override key to open the safe. See Opening Your Safe for instructions.

# Illustrations

Fig. 1

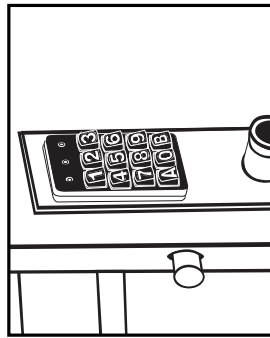


Fig. 2

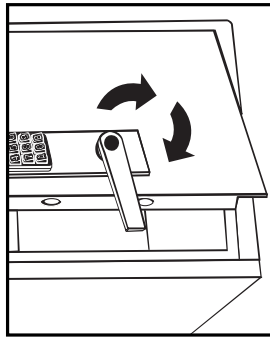


Fig. 3

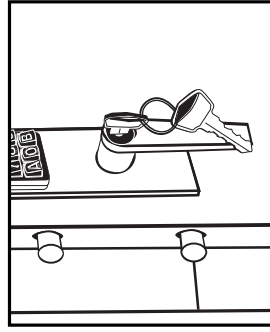


Fig. 4

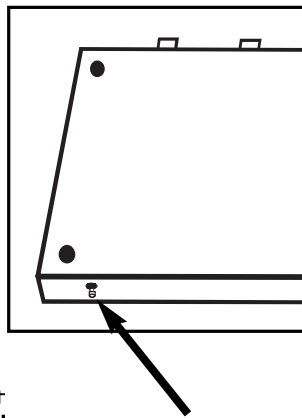


Fig. 5

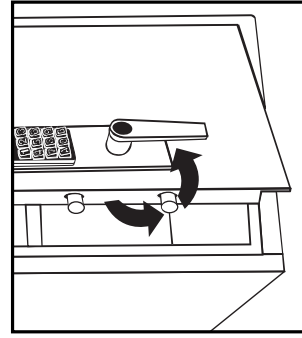
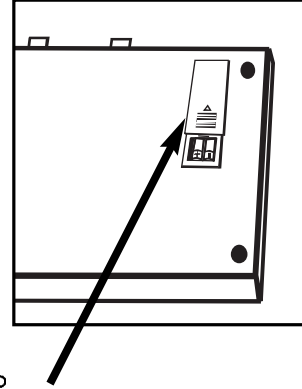


Fig. 6



## Checking Batteries

On the digital keypad, press the "B" button.

- If the red LED light flashes, change the batteries within 2 months.
- If no LED lights, change the batteries immediately.

## Changing Batteries

**Changing batteries will not erase your personal code.**

1. Open the safe door using your personal code and locate the battery compartment on the lower inside portion of the door.
2. Push in on the left side of the cover and remove by sliding to the right (Fig. 6)
3. Carefully replace the batteries (4 - "AA") using the positioning guide printed on the inside of the battery compartment.
4. Replace the cover by sliding back into position.

## Appropriate Use of Your Safe

- Your Anti-Theft safe is designed to provide protection against theft and minimal fire damage. It does not protect the contents from serious fire or water damage.
- For information on safes that provide protection from fire and water damage, see your Home Security retailer or visit our website at [www.honeywellsafes.com](http://www.honeywellsafes.com)

## Troubleshooting

- **Safe will not open with your personal code:**  
Open the safe using the override key and re-program your code.
- **No LED Lights:**  
Remove the override lock cover and open safe with the override key. Refer to checking/changing batteries.

If you continue to experience problems or have questions regarding your safe, please contact Sisco customer service at 800-223-8566. Do not return safe to the retailer unless instructed to do so by Customer Service Representative.

Thank you!

## Ordering keys for your safe

In the U.S., replacement keys can be ordered at a cost of \$6.95 each. Credit card orders can be accepted by phone. Checks or money orders should be made payable to Sisco.

### Payment Type / Shipping Time

- Credit card:  
3 business days
- Money orders/cashiers check:  
3 business days from receipt
- Personal/business check:  
14 business days from receipt

The following information will be needed to process your request: **IMPORTANT: Do not send cash!**

- Name/address
- Telephone number
- E-mail address if available
- Model # of Safe
- Number of keys requested
- Key number (located on lock tumbler)
- Payment or credit card number

## Limited product warranty

**LIMITED WARRANTY:** If your safe fails to operate because of a manufacturing defect, any time up to five (5) years from the date of original purchase, we will, at our discretion, repair or replace the unit at no charge to the original owner provided you return the product, shipping prepaid, to SISCO, or to a service center or locksmith of our choice.

**WHAT IS NOT COVERED:** This warranty does not apply if the product has been damaged by improper installation, neglect, accident, misuse, exposure to extremes of heat or humidity, terrorism, war, acts of God, or as a result of service or modification by other than an authorized service center. Sisco is not responsible for any costs associated with removing or installing this product. This warranty does not apply to the finish of any metal portions of the product. No other expressed warranty is given. The repair or replacement of the product is your exclusive remedy. Any implied warranty of salability or fitness is limited to the duration of this written warranty. Some states do not allow limitations on how long an implied warranty lasts, so the above limitations may not apply to you. In no event shall SISCO be liable for consequential or incidental damages. Some states do not allow the exclusion or limitation of incidental or consequential damages, so the above limitation or exclusion may not apply to you. This warranty gives you specific rights and you may also have other rights which vary from state to state.

Honeywell makes no representations or warranties with respect to this Product or service. The Honeywell Trademark is used under license from Honeywell Intellectual Properties Inc. by SISCO.